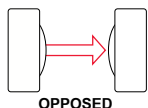
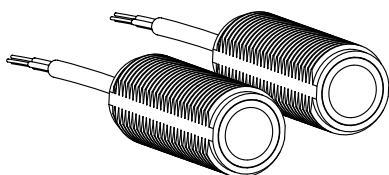


S12-2 Emitter/Receiver Pair Photoelectric Sensor



Datasheet



880 nm Infrared

- Small 12 mm (0.47 inch) diameter tubular opposed mode sensor pair
- Fully threaded barrel allows easy mounting to bracket or panel with included M12 nuts
- Easy-to-see status LED indicators for Power ON, Output Overload, Signal Received, and Marginal Signal
- Wide beam pattern makes sensor alignment easy at long ranges
- Emitter beam inhibit to verify normal sensor operation before motion
- Robust epoxy encapsulated electronics for reliable use in industrial environments

Model	Type	Range	Output Type	Input
S12-2NAEL-2M	Emitter	20 m (65.6 feet)	N/A	N/A
S12-2NAEJ-2M				Beam Inhibit
S12-2ANRL-2M	Receiver		NPN/LO	N/A
S12-2RNRL-2M			NPN/DO	
S12-2APRL-2M			PNP/LO	
S12-2RPRL-2M			PNP/DO	

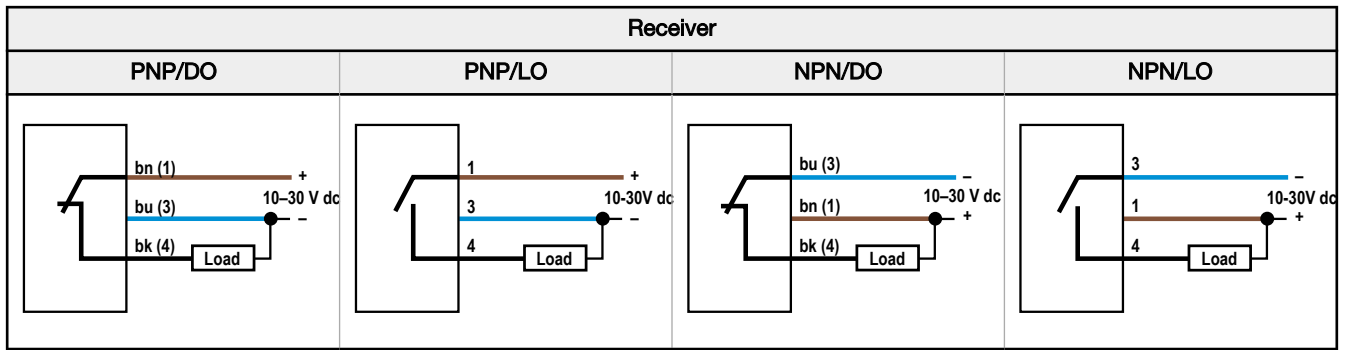
The standard 2 m (6.5 ft) cable models are listed. To order the 3-pin 150 mm (6 inch) pigtail with threaded Pico-style M8 connector models, replace the suffix "-2M" with "-Q3" on the model number. For example, S12-2NAEL-Q3.

Wiring Diagrams

Emitter	Emitter with Beam Inhibit (Cabled)	Emitter with Beam Inhibit (QD with Pigtail)	
			<p>1 = Brown 2 = White 3 = Blue 4 = Black</p>

Cabled emitters with beam inhibit use the white wire to error-proof wiring in the cabinet. QD models use the standard pinout and the beam inhibit (pin 4) wire color is determined by the cordset used, but is typically black.





Specifications

Sensing Beam

880 nm Invisible Infrared beam

Sensing Range

20 m (65.6 ft)

Supply Voltage and Current Consumption

10 to 30 V dc; less than 25 mA (emitters) or 15 mA (receivers) exclusive of load

Supply Protection Circuitry

Protected against reverse polarity and transient over voltages

Delay at Power-up

Less than 1 second

Output Configuration

One solid state output, NPN (sinking) or PNP (sourcing), depending on model

Output Rating

100 mA
 OFF-state leakage current: < 10 μ A
 ON-state saturation voltage: < 0.2 V at 10 mA; < 0.8 V at 100 mA

Output Protection Circuitry

Protected against output short circuit, continuous overload, and transient over voltages

Output Response Time

11 ms ON, 7 ms OFF

Input Configuration (emitter only)

Emitter beam inhibit

Repeatability

1.5 ms

Indicators

Green Power LED (emitter and receiver):

- ON indicates power on
- Flashing indicates output short circuited (receiver only)

Red Output LED (receiver only):

- ON indicates light sensed
- Flashing indicates marginal excess gain (1.0 to 1.5x excess gain)

Construction

Housing: Polycarbonate with epoxy encapsulated electronics
 Lens: Polycarbonate
 Cable: PVC jacket

Environmental rating

IEC IP67

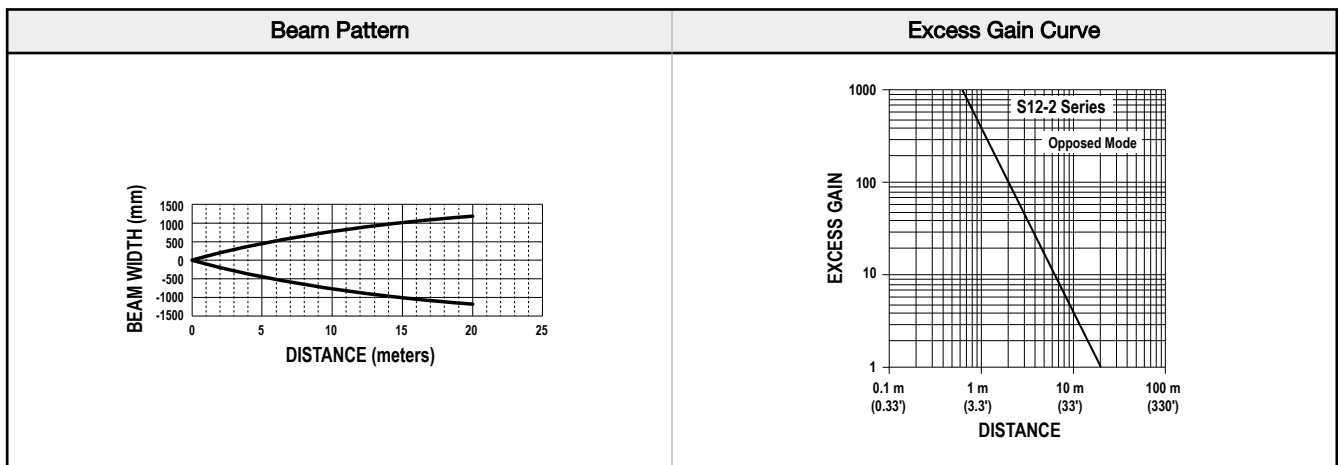
Connections

2 m (6.5 ft) cable or 150 mm (6 inch) pigtail with M8 threaded connection

Operating Conditions

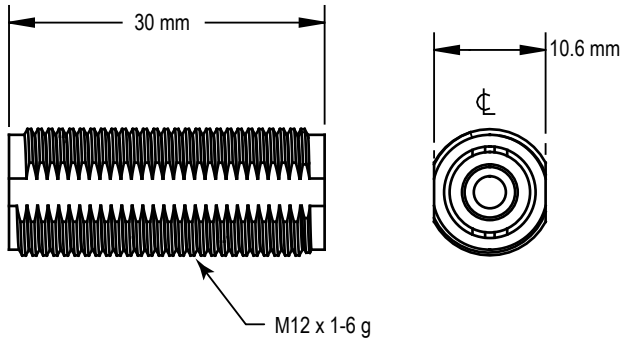
Temperature: -25 °C to +50 °C (-13 °F to +122 °F)

Certifications



Dimensions

All measurements are listed in millimeters, unless noted otherwise.



Accessories

3-Pin Threaded M8/Pico-Style Cordsets				
Model	Length	Style	Dimensions	Pinout (Female)
PKG3M-2	2.035 m (6.68 ft)	Straight		<p>1 = Brown 3 = Blue 4 = Black</p>
PKG3M-5	5.035 m (16.51 ft)			
PKG3M-7	7.035 m (23.08 ft)			
PKG3M-9	9.035 m (29.64 ft)			
PKG3M-10	10.035 m (32.92 ft)			
PKW3M-2	2 m (6.56 ft)	Right-Angle		
PKW3M-5	5 m (16.40 ft)			
PKW3M-9	9 m (29.53 ft)			

Banner Engineering Corp Limited Warranty

Banner Engineering Corp. warrants its products to be free from defects in material and workmanship for one year following the date of shipment. Banner Engineering Corp. will repair or replace, free of charge, any product of its manufacture which, at the time it is returned to the factory, is found to have been defective during the warranty period. This warranty does not cover damage or liability for misuse, abuse, or the improper application or installation of the Banner product.

THIS LIMITED WARRANTY IS EXCLUSIVE AND IN LIEU OF ALL OTHER WARRANTIES WHETHER EXPRESS OR IMPLIED (INCLUDING, WITHOUT LIMITATION, ANY WARRANTY OF MERCHANTABILITY OR FITNESS FOR A PARTICULAR PURPOSE), AND WHETHER ARISING UNDER COURSE OF PERFORMANCE, COURSE OF DEALING OR TRADE USAGE.

This Warranty is exclusive and limited to repair or, at the discretion of Banner Engineering Corp., replacement. **IN NO EVENT SHALL BANNER ENGINEERING CORP. BE LIABLE TO BUYER OR ANY OTHER PERSON OR ENTITY FOR ANY EXTRA COSTS, EXPENSES, LOSSES, LOSS OF PROFITS, OR ANY INCIDENTAL, CONSEQUENTIAL OR SPECIAL DAMAGES RESULTING FROM ANY PRODUCT DEFECT OR FROM THE USE OR INABILITY TO USE THE PRODUCT, WHETHER ARISING IN CONTRACT OR WARRANTY, STATUTE, TORT, STRICT LIABILITY, NEGLIGENCE, OR OTHERWISE.**

Banner Engineering Corp. reserves the right to change, modify or improve the design of the product without assuming any obligations or liabilities relating to any product previously manufactured by Banner Engineering Corp. Any misuse, abuse, or improper application or installation of this product or use of the product for personal protection applications when the product is identified as not intended for such purposes will void the product warranty. Any modifications to this product without prior express approval by Banner Engineering Corp will void the product warranties. All specifications published in this document are subject to change; Banner reserves the right to modify product specifications or update documentation at any time. Specifications and product information in English supersede that which is provided in any other language. For the most recent version of any documentation, refer to: www.bannerengineering.com.

For patent information, see www.bannerengineering.com/patents.